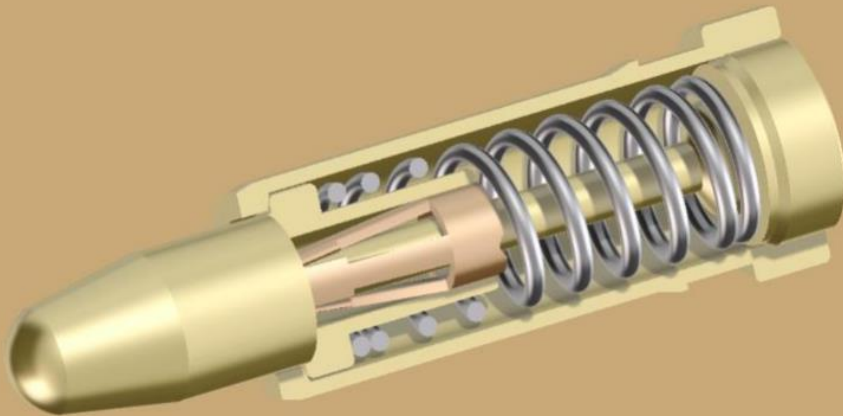


SERIES 0900-CLIP

SPRING LOADED CONNECTIONS

PRECISE, RELIABLE, AND COST EFFECTIVE STANDARD SOLUTIONS

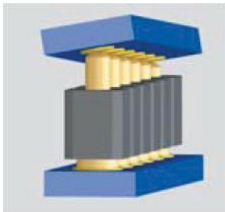


preci-dip

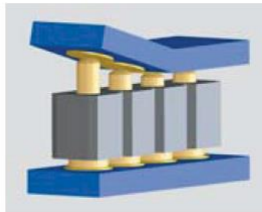
swiss world connects

ADVANTAGES OF SPRING LOADED CONTACTS

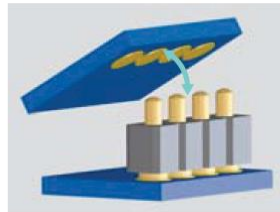
Spring Loaded Contacts facilitate blind mating requirements, are more tolerant to misaligned and non-coplanar mating conditions, and capable of achieving up to one million mating cycles.



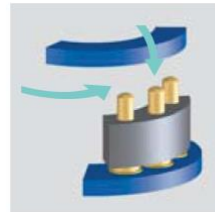
Connects surfaces non-perpendicular to the contact axis



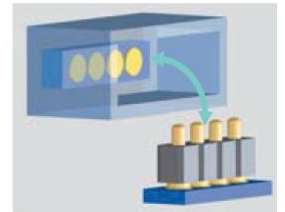
Compensates for errors of parallelism and flatness



Connects pivoting or rotating elements



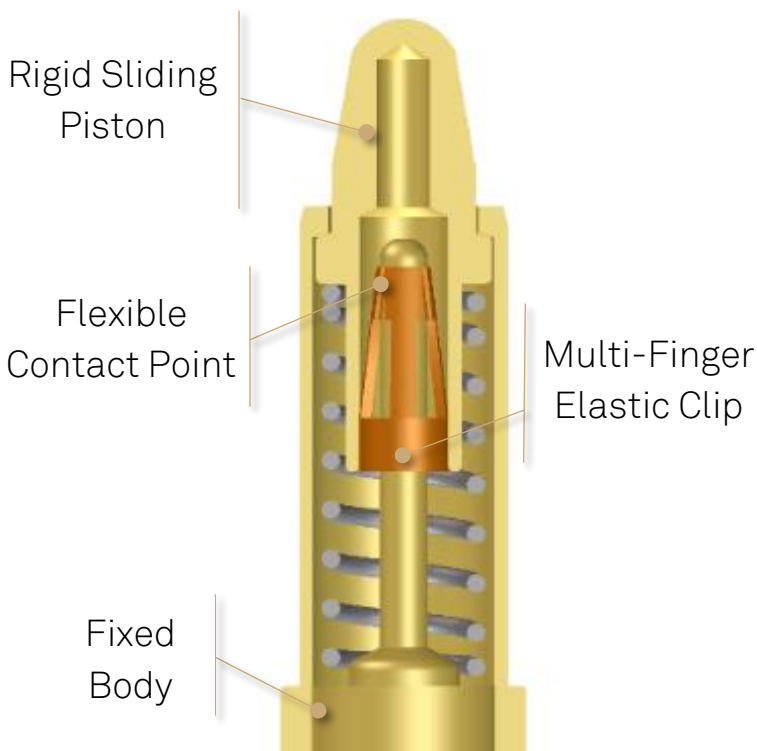
Connects with sliding mating action (e.g. bayonet connection)



Integrates well in blind mating applications.

CLIP TECHNOLOGY IN SPRING LOADED CONTACTS

With many years of experience in Spring Loaded Contact manufacturing, PRECI-DIP has developed a patented design with an integrated multi-finger clip, which establishes high-reliability and electrical continuity between body and piston. This solution ensures low, stable electrical resistance without micro-discontinuities, even when the piston is moving or exposed to intensive shocks and vibrations.



A CLIP establishes a reliable and efficient connection between the body and piston.



Compliant to:

- Shock and vibration up to 2000Hz
- Current up to 25A



Want to know more about series 0900-CLIP? Watch the video

DESIGN RULES

PRECI-DIP Spring Loaded Contact Solutions are designed to connect various types of mating surfaces:

- A gold-plated surface on a printed circuit board.
- A gold-plated target pad.



PRINTED CIRCUIT BOARD

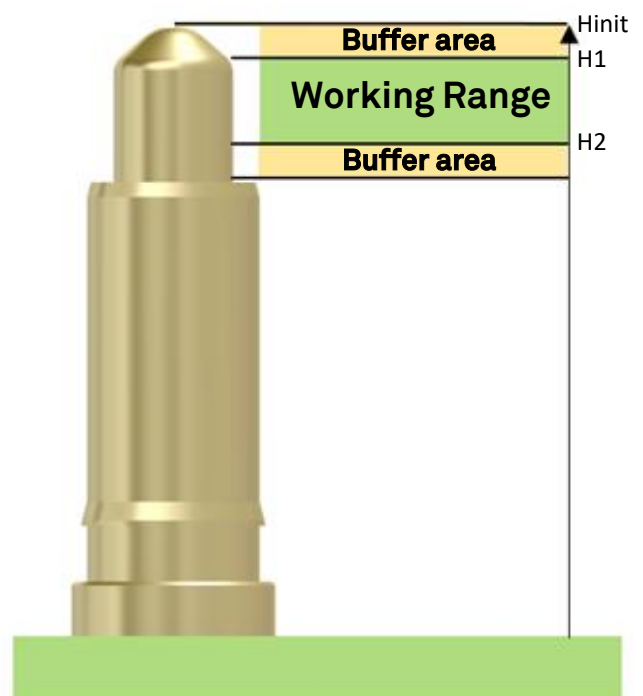


A TARGET PAD

KEY DATA OF A SPRING PINS (H1, H2, WORKING RANGE ...)

Spring Loaded Contacts are used to make reliable connections where there are large tolerances between the two mating surfaces. There are three key characteristics: Working Range, Height, and Operating Force:

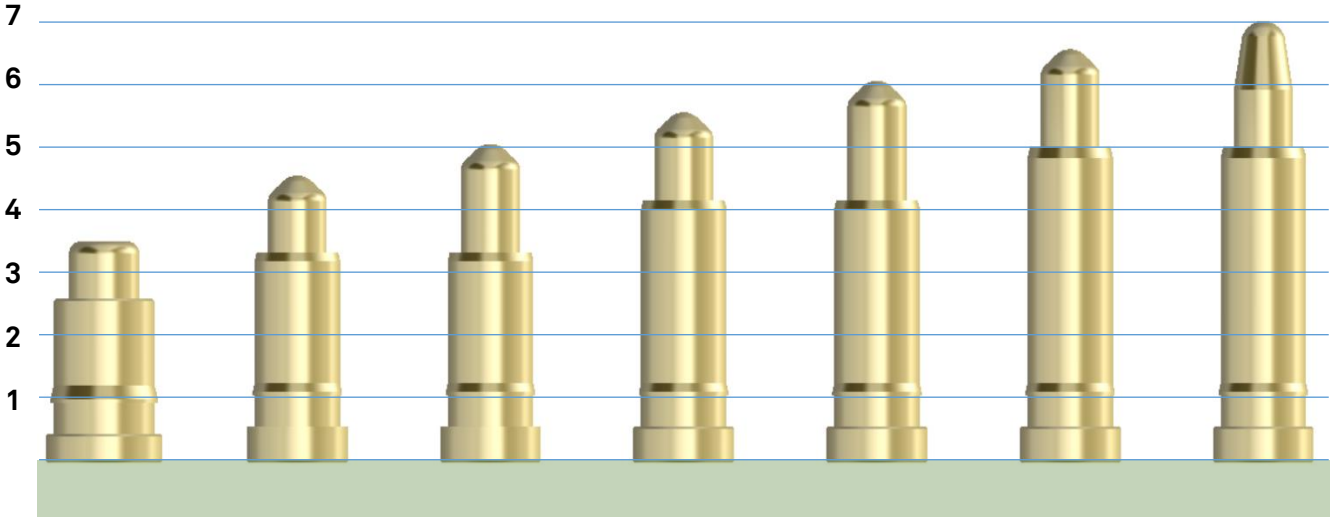
- The Working Range is equal to the tolerance present between the two mating surfaces, a standard working range is 1.4 mm (.055”).
- The Height of a Spring Loaded Contact is a little bit bigger than the maximum distance between the two mating surfaces, to have a buffer area to guarantee operational contact in all cases.
- The Operating Force must be larger than 0.5N to guarantee the reliability of the connection.



Spring Loaded Contacts With Clip

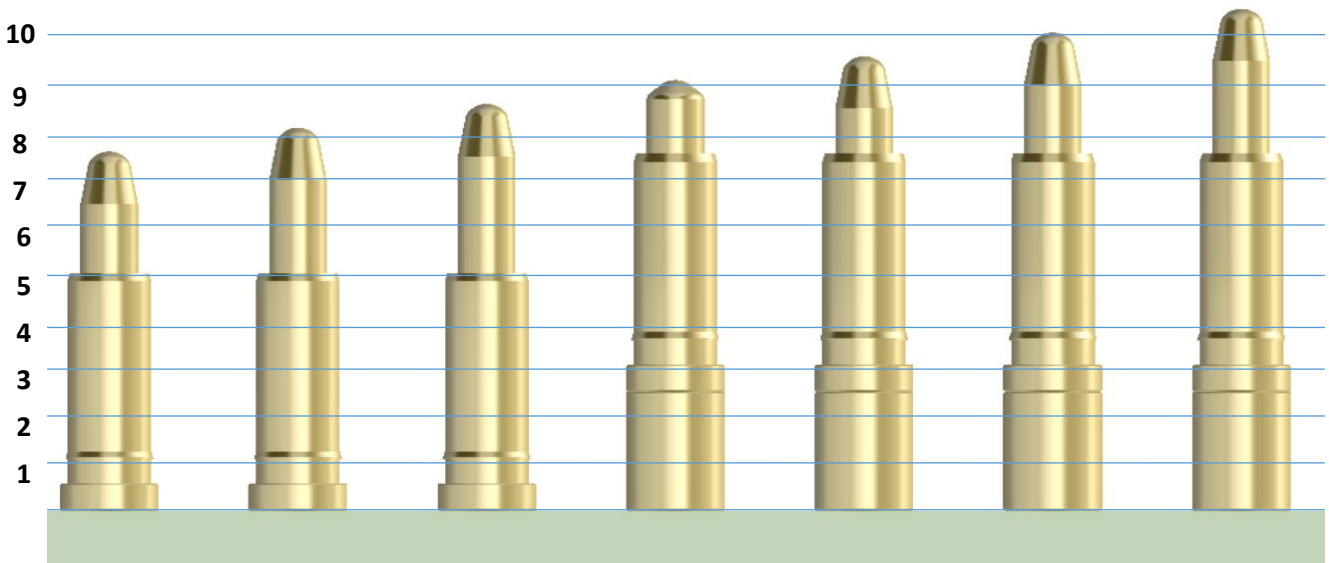
- From 3.5mm to 6.55 mm

90637-AS	0900-1-CLIP	0900-2-CLIP	0900-3-CLIP	0900-4-CLIP	0907-0-CLIP	0907-1-CLIP
Initial length: 3.50mm	Initial length: 4.55mm	Initial length: 5.05mm	Initial length: 5.55mm	Initial length: 6.05mm	Initial length: 6.55mm	Initial length: 7.05mm
Initial force: 0.60N	Initial force: 0.35N	Initial force: 0.40N	Initial force: 0.40N	Initial force: 0.50N	Initial force: 0.50N	Initial force: 0.50N
Working range: 3.30 – 2.70	Working range: 4.35 – 3.75	Working range: 4.85 – 4.00	Working range: 5.35 – 4.25	Working range: 5.80 – 4.60	Working range: 6.35 – 5.15	Working range: 6.85 – 5.45
Ø Ext. 2,12mm	Ø Ext. 1.83mm	Ø Ext. 1.83mm	Ø Ext. 1.83mm	Ø Ext. 1.83mm	Ø Ext. 1.83mm	Ø Ext. 1.83mm



- From 7.5mm to 10.55 mm

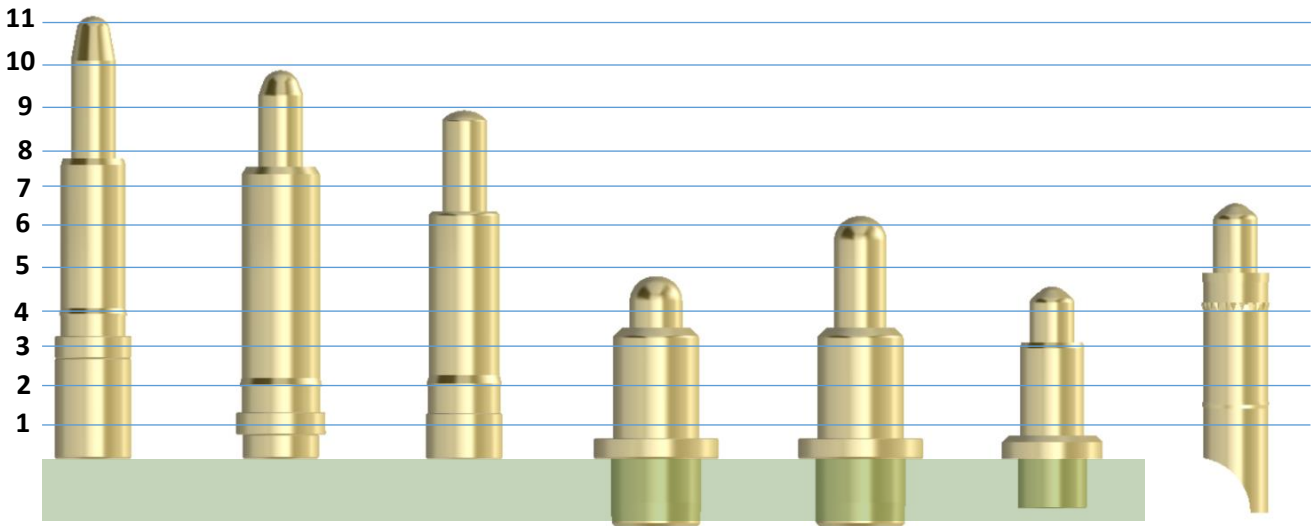
0907-2-CLIP	0907-3-CLIP	0907-4-CLIP	0907-5-CLIP	0907-6-CLIP	0907-7-CLIP	0907-8-CLIP
Initial length: 7.55 mm	Initial length: 8,05mm	Initial length: 8,55mm	Initial length: 9,05mm	Initial length: 9,55mm	Initial length: 10,05mm	Initial length: 10,55mm
Initial force: 0,60N	Initial force: 0.60N	Initial force: 0.60N	Initial force: 0.60N	Initial force: 0.60N	Initial force: 0.60N	Initial force: 0.60N
Working range: 7,35 – 5,95	Working range: 7,85 – 6,45	Working range: 8,35– 6,95	Working range: 8,85– 7,65	Working range: 9,35– 7,95	Working range: 9,85– 8,45	Working range: 10,35– 8,95
Ø Ext. 1.83mm	Ø Ext. 1.83mm	Ø Ext. 1.83mm	Ø Ext. 1.83mm	Ø Ext. 1.83mm	Ø Ext. 1.83mm	Ø Ext. 1.83mm



Spring Loaded Contacts With Clip

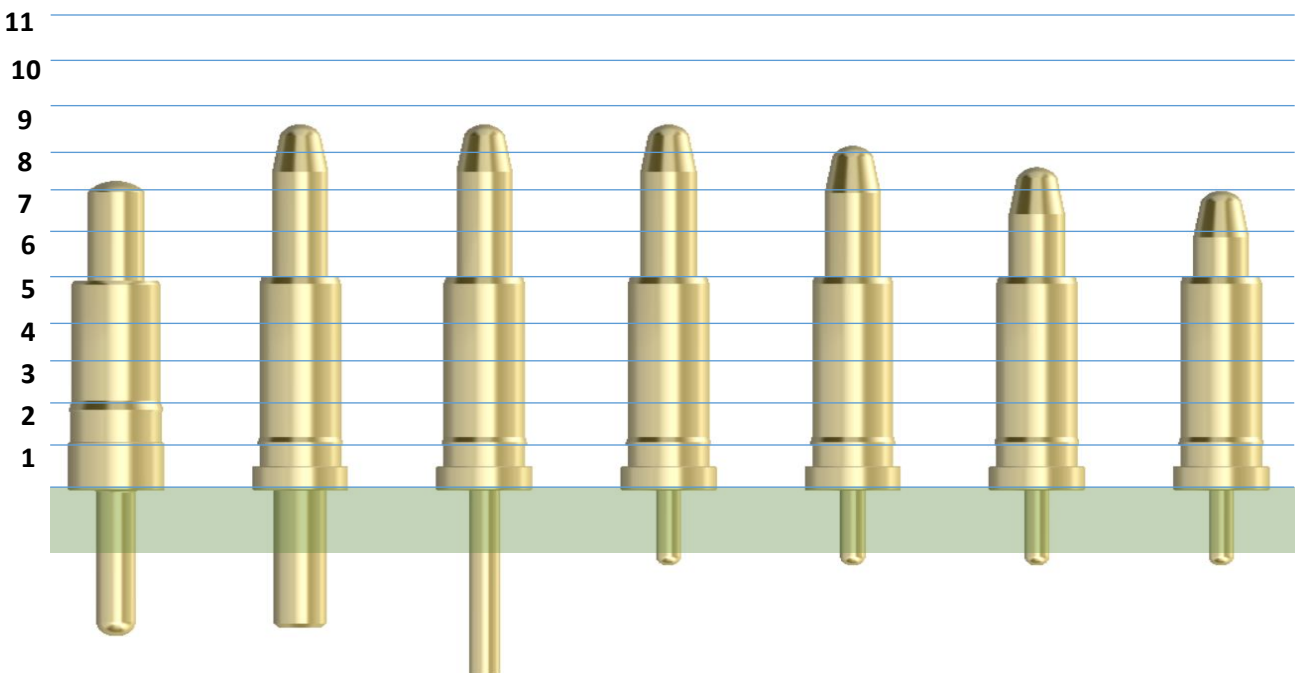
- From 3.5mm to 6.55 mm

0907-9-CLIP	90679-AS	90736-AS	90629-AS	90625-AS	90708-AS	90755-AS
Initial length: 11.05 mm	Initial length: 9,7 mm	Initial length: 8,7 mm	Board distance: 5.76mm	Board distance: 6.06mm	Board distance: 4.3 mm	Total Length 8.63 mm
Initial force: 0.35N	Initial force: 0,60N	Initial force: 1,0N	Initial force: 0,46N	Initial force: 0.46N	Initial force: 0.50N	Initial force: 0.50N
Working range: 10.85 – 9.45 mm	Working range: 9,45 – 7,45 mm	Working range: 8,50 – 6,70 mm	Working range: 5,56 – 4,36 mm	Working rang: 5.86 – 4.36 mm	Working range: 4,15 – 3,05 mm	Working range: 0.55 – 1.80 mm
Ø Ext. 1.83mm	Ø Ext. 2,15 mm	Ø Ext. 1,83mm	Ø Ext. 3,0 mm	Ø Ext. 3,0 mm	Ø Ext. 2,4 m	Ø Ext. 2,4 m



- From 7,05mm to 8.55 mm

90691-AS	90740-AS	90734-AS	0908-4-CLIP	0908-3-CLIP	0908-2-CLIP	0908-1-CLIP
Initial length: 7,23mm	Initial length: 8.55mm	Initial length: 8.55mm	Initial length: 8.55mm	Initial length: 8,05mm	Initial length: 7,55mm	Initial length: 7,05mm
Initial force: 0.50N	Initial force: 0.50N	Initial force: 0.50N	Initial force: 0.50N	Initial force: 0.50N	Initial force: 0.50N	Initial force: 0.50N
Working range: 7,1 – 5,4 mm	Working rang: 8,35 – 6,95 mm	Working rang: 8,35 – 6,95 mm	Working rang: 8,35 – 6,95 mm	Working rang: 7,85 – 6,45 mm	Working range: 7,35 – 5,95 mm	Working range: 6,85 – 5,45 mm
Ø Ext. 1.83mm	Ø Ext. 1.83mm	Ø Ext. 1.83mm	Ø Ext. 1.83mm	Ø Ext. 1.83mm	Ø Ext. 1.83mm	Ø Ext. 1,83mm



Pad Contacts

- SMT termination, from 2.00 mm to 5.00 mm

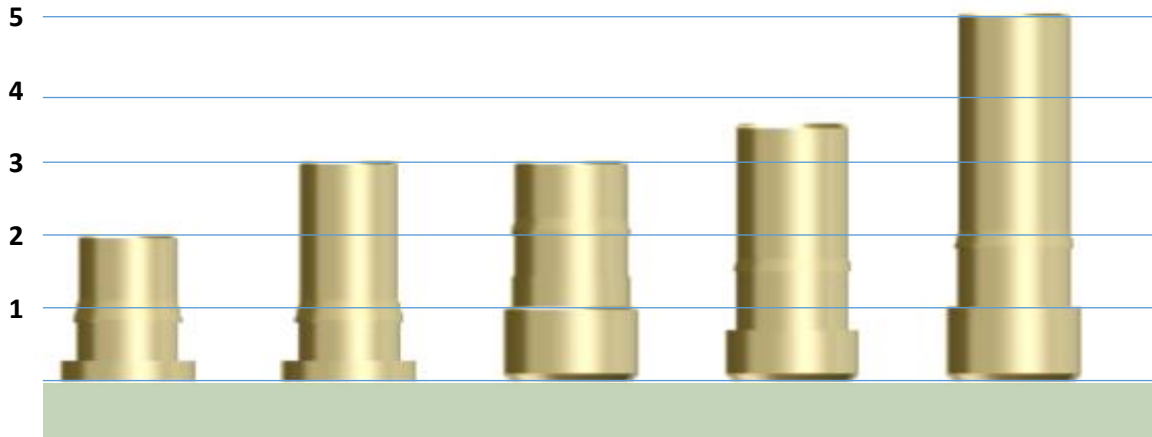
50370-1PN0
50370-S0
 Board Height
 2,00 mm
 Ø Ext. 1.83mm

50371-1PN0
50371-S0
 Board Height
 3,00 mm
 Ø Ext. 1.83mm

52071-10
52071-S0
 Board Height
 3,00 mm
 Ø Ext. 1.83mm

50464-10
50464-S0
 Board Height
 3,50 mm
 Ø Ext. 1.83mm

50368-40
50368-S0
 Board Height
 5,00mm
 Ø Ext. 1.83mm

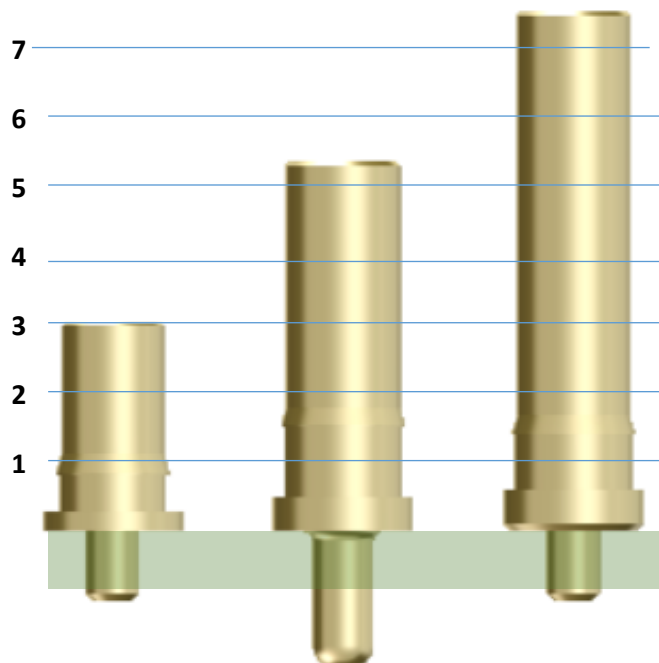


- THT termination, from 3.00 mm to 7.45 mm

50388-1PN0
50388-S0
 Board Height
 3,00 mm
 Ø Ext. 1.83mm

52054-10
52054-S0
 Board Height
 5,30 mm
 Ø Ext. 1.83mm

50410-S0
50410-1N0
 Board Height
 7,45 mm
 Ø Ext. 1.83mm



Spring Loaded Contacts With Clip

- Special Power Series from 12 amps to 20 amps

90784-AS	90756-AS	90738-AS
<u>20 Amps</u>	<u>12 Amps</u>	<u>12 Amps</u>
Board distance 16,27 mm	Board distance 12,47 mm	Board distance 12,30 mm
Initial force: 4.0 N	Initial force: 2,1 N	Initial force: 2,1 N
Working range: 14,37 – 15.70 mm	Working range: 12, 1 – 9,97 mm	Working range: 12,10 – 9.95 mm
Ø Ext. 5,0 mm	Ø Ext. 4,00 mm	Ø Ext. 3,50 mm



Pad Contacts

- Power Pads for Special Applications

75015-20	52030-1PN0	52051-1P0	50415-20	50341-20
Target Pad Ø 3mm	Target Pad Ø 3mm	Target Pad Ø 5mm	Target Pad Ø 3mm	Target Pad Ø 3mm
Board Height 5,00 mm	Board Height 3,80 mm	Board Height 4,62 mm	Board Height 6,40 mm	Board Height 5,00mm
Ø Ext. 3 mm	Ø Ext. 3mm	Ø Ext. 5 mm	Ø Ext. 3mm	Ø Ext. 3mm



SPRING-LOADED CONNECTORS WITH CLIP DESIGN

2.54 mm grid / Surface mount

TECHNICAL SPECIFICATIONS:

OPERATING CURRENT: Max 5 A

DYNAMIC CONTACT RESISTANCE: 20mΩ

OPERATING TEMPERATURE RANGE: -55/+125 °C

DURABILITY: 20'000 cycles

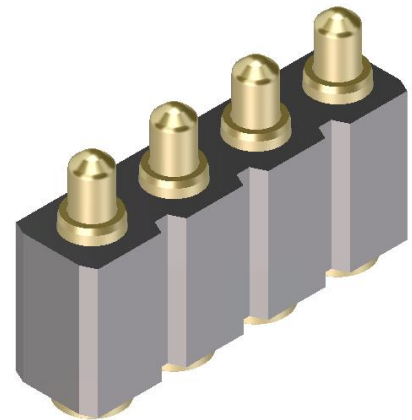
MATERIALS / PLATINGS:

Insulator : Black glass filled polyester PCT-GF30-FR

Body : Copper alloys - 0.125 μm Au / 2.5 μm Ni

Piston : Copper alloys - 0.5 μm Au / 2.5 μm Ni

Spring: Stainless steel DIN 17224



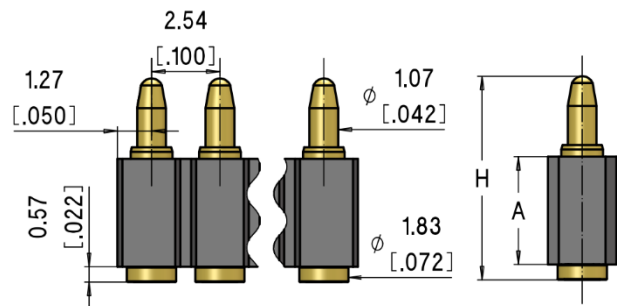
For Spring Loaded Connector SMT version with 4 position, one row, 6.55 mm height, ordering number is:

- 811-SS-004-30-679101

811-SS-NNN-30-6XX101

Surface Mount SLC Connector, various heights, single row

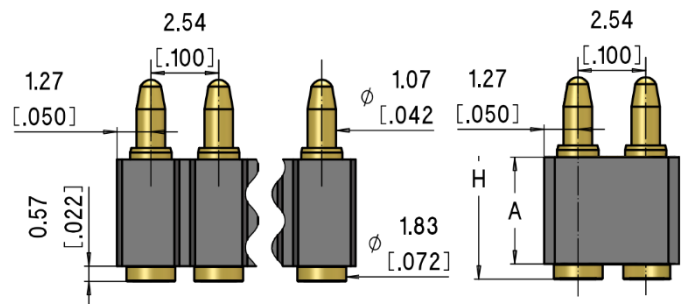
- Replace NNN by the desired number of poles
- Available from 2 to 10 positions
- Replace XX for desired height (See table)
- Available from 4.55 to 8.55 mm
- Other pitch on request. (2mm, 3mm, 3,5 mm ...)



811-SS-NNN-30-6XX101

Surface Mount SLC Connector, various heights, double row

- Replace NNN by the desired number of poles
- Available from 4 to 20 positions
- Replace XX for desired height (See table)
- Available from 4.55 to 8.55 mm
- Other pitch on request. (2mm, 3mm, 3,5 mm)



H = 4.55 mm replace XX by 75

H = 5.05 mm replace XX by 76

H = 5.55 mm replace XX by 77

H = 6.05 mm replace XX by 78

H = 6.55 mm replace XX by 79

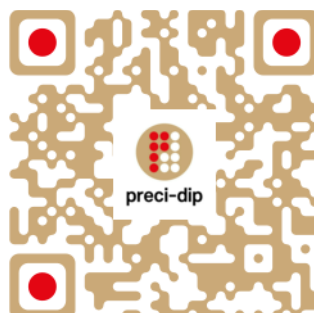
H = 7.05 mm replace XX by 80

H = 7.55 mm replace XX by 81

H = 8.05 mm replace XX by 82

H = 8.55 mm replace XX by 83

For more information, please visit our web site :



PAD CONNECTORS

2.54 mm grid / Surface mount

TECHNICAL SPECIFICATIONS:

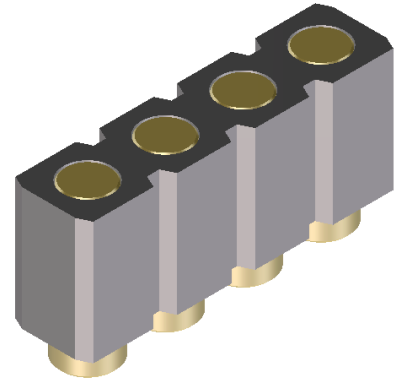
OPERATING TEMPERATURE RANGE: -55/+125 °C

DURABILITY: 20'000 cycles

MATERIALS / PLATINGS:

Insulator : Black glass filled polyester PCT-GF30-FR

Body : Copper alloys - 0.25 µm Au / 2.5 µm Ni



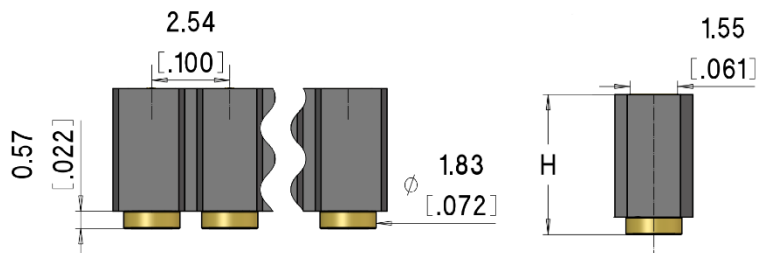
For Pad Connector SMT version with 4 position, one row, 4.00 mm height, ordering number is:

- 800-10-004-30-642101

800-10-NNN-30-XXX101

Pad Connector, SMD, One Row

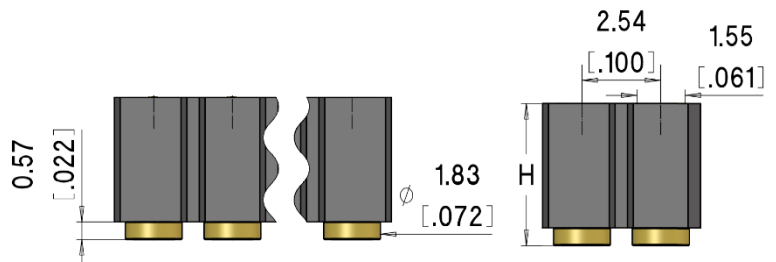
- Replace NNN by the desired number of poles.
- Available from 2 to 10 positions.
- Replace XXX for desired height (See table)
- Other pitch on request.



802-10-NNN-30-XXX101

Pad Connector, SMD, Two Row

- Replace NNN by the desired number of poles.
- Available from 4 to 20 positions.
- Replace XXX for desired height (See table)
- Other pitch on request.



H = 3.5 mm replace XXX by 642

H = 5.0 mm replace XXX by 507

For more information, please visit our web site :



SPRING-LOADED CONNECTORS WITH CLIP DESIGN

2.54 mm grid / Right Angle / Stamp Anchor

TECHNICAL SPECIFICATIONS:

OPERATING CURRENT: Max 5 A

DYNAMIC CONTACT RESISTANCE: 20mΩ

OPERATING TEMPERATURE RANGE: -55/+125 °C

DURABILITY: 20'000 cycles

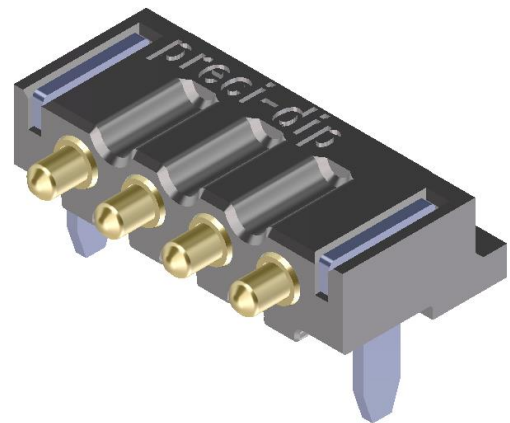
MATERIALS / PLATINGS:

Insulator : Black glass filled polyamide PA9T

Body : Copper alloys - 0.125 μm Au / 2.5 μm Ni

Piston : Copper alloys - 0.5 μm Au / 2.5 μm Ni

Spring: Stainless steel DIN 17224



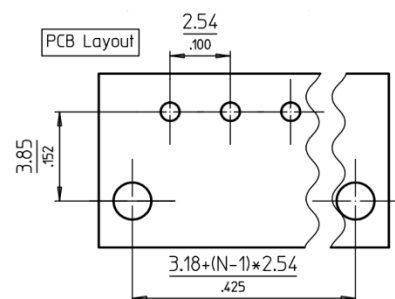
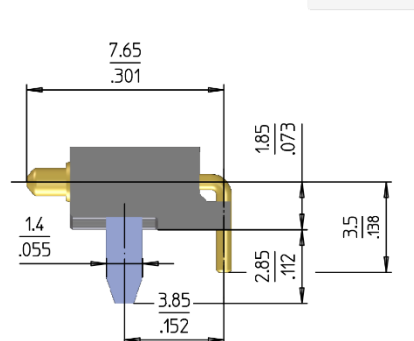
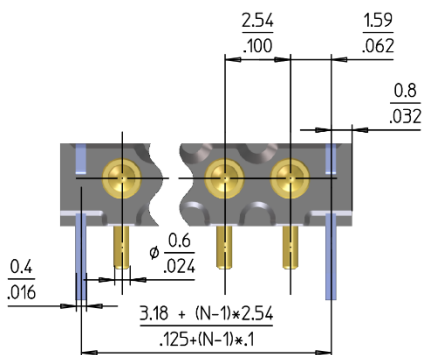
For SLC Connector Right Angle version with 4 position, one raw, ordering number is:

- 811-S-004-20-679101

811-SS-NNN-20-679101

Right Angle SLC connector

- Replace NNN by the desired number of poles.
- Available from 2 to 7 positions.
- Customization on request



For more information, please visit our web site :



PAD CONNECTORS

2.54 mm grid / Right Angle / Stamp Anchor

TECHNICAL SPECIFICATIONS:

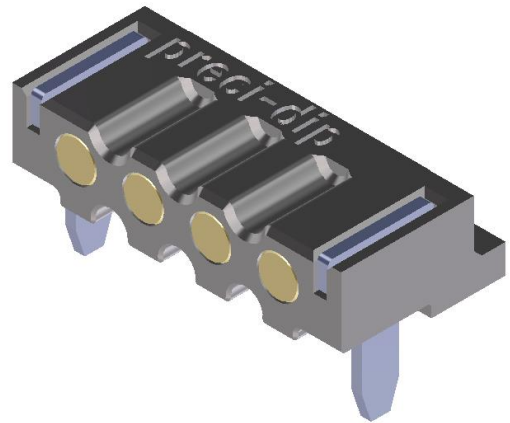
OPERATING TEMPERATURE RANGE: -55/+125 °C

DURABILITY: 20'000 cycles

MATERIALS / PLATINGS:

Insulator : Black glass filled polyamide PA9T

Body : Copper alloys - 0.125 µm Au / 2.5 µm Ni



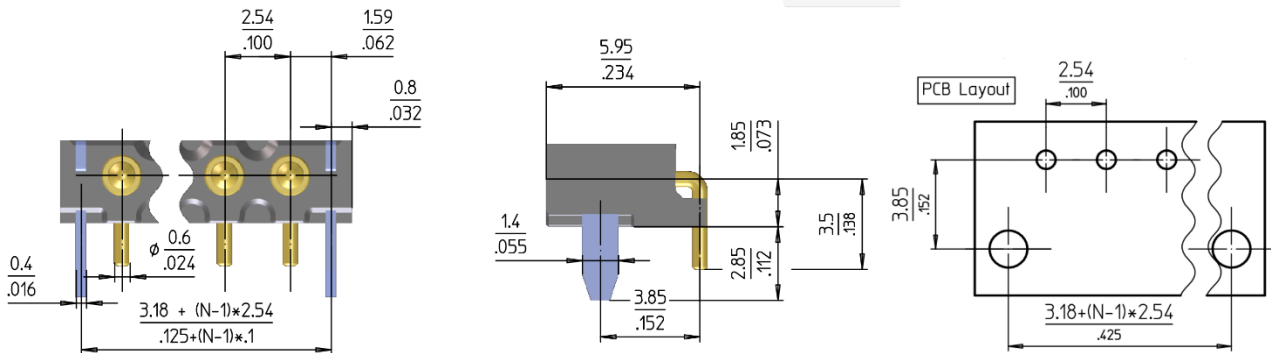
For Pad Connector Right Angle version with 4 position, one raw, ordering number is:

- 800-SS-004-20-679101

800-SS-NNN-20-679101

Right Angle SLC connector

- Replace NNN by the desired number of poles.
- Available from 2 to 7 positions.
- Customization on request



For more information, please visit our web site :



SPRING-LOADED CONNECTORS WITH CLIP DESIGN

2.54 mm grid / Single Row / Solder Cup

TECHNICAL SPECIFICATIONS:

OPERATING CURRENT: Max 5 A

DYNAMIC CONTACT RESISTANCE: 20mΩ

OPERATING TEMPERATURE RANGE: -55/+125 °C

DURABILITY: 20'000 cycles

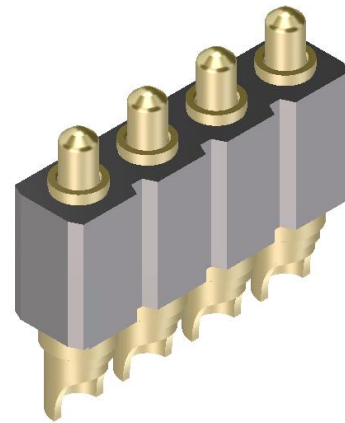
MATERIALS / PLATINGS:

Insulator : Black glass filled polyester PCT-GF30-FR

Body : Copper alloys - 0.125 μm Au / 2.5 μm Ni

Piston : Copper alloys - 0.5 μm Au / 2.5 μm Ni

Spring: Stainless steel DIN 17224



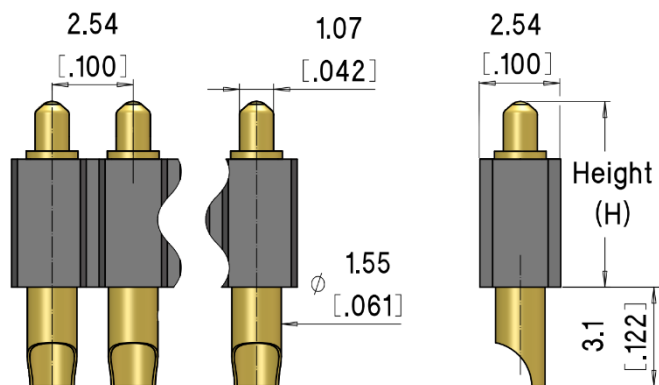
For SLC Connector Solder Cup version with 4 position, one row, height = 5.8 mm ordering number is:

- 811-SS-004-70-679101

811-SS-NNN-70-6XX101

SLC Connector, Solder Cup, One Row

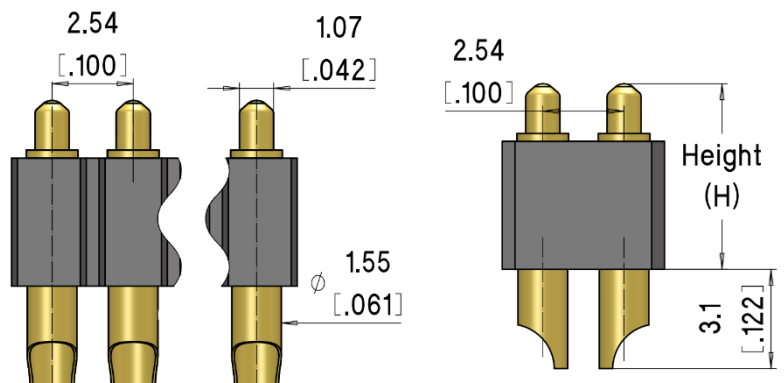
- Replace NNN by the desired number of poles.
- Available from 2 to 10 positions.
- Replace XX for desired height (See table)
- Other pitch on request



813-SS-NNN-70-6XX101

SLC Connector, Solder Cup, One Row

- Replace NNN by the desired number of poles.
- Available from 4 to 20 positions.
- Replace XX for desired height (See table)
- Other pitch on request



H = 5.8 mm replace XX by 79

H = 7.3 mm replace XX by 82

For more information, please visit our web site :



PAD CONNECTORS

2.54 mm grid / Single Row / Solder Cup

TECHNICAL SPECIFICATIONS:

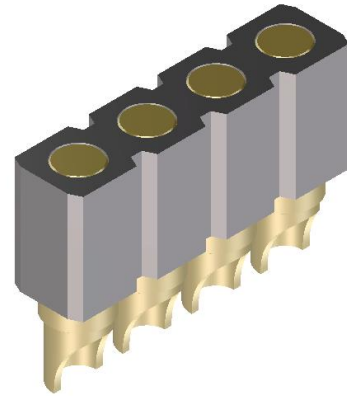
OPERATING TEMPERATURE RANGE: -55/+125 °C

DURABILITY: 20'000 cycles

MATERIALS / PLATINGS:

Insulator : Black glass filled polyester PCT-GF30-FR

Body : Copper alloys - 0.125 µm Au / 2.5 µm Ni



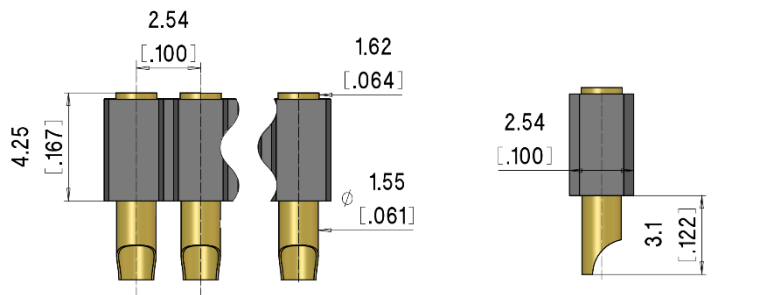
For PAD Connector Solder Cup version with 4 position, one raw, ordering number is:

- 800-SS-004-70-679101

800-SS-NNN-70-507101

Pad Connector, Solder Cup, One Row

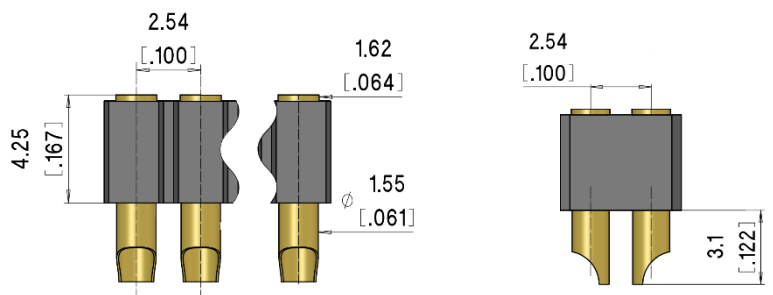
- Replace NNN by the desired number of poles.
- Available from 2 to 10 positions.



802-SS-NNN-70-507101

Pad Connector, Solder Cup, Double Row

- Replace NNN by the desired number of poles.
- Available from 4 to 20 positions.



For more information, please visit our web site :



SPRING-LOADED CONNECTORS WITH CLIP DESIGN

2.54 mm grid / Surface mount

TECHNICAL SPECIFICATIONS:

OPERATING CURRENT: Max 5 A

DYNAMIC CONTACT RESISTANCE: 20mΩ

OPERATING TEMPERATURE RANGE: -55/+125 °C

DURABILITY: 20'000 cycles

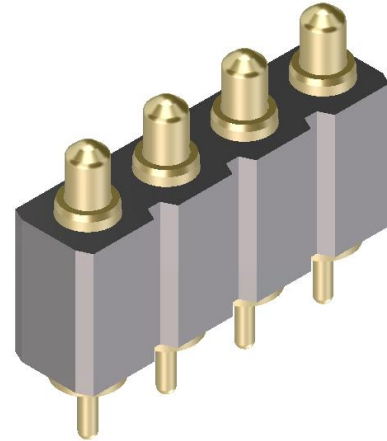
MATERIALS / PLATINGS:

Insulator : Black glass filled polyester PCT-GF30-FR

Body : Copper alloys - 0.125 μm Au / 2.5 μm Ni

Piston : Copper alloys - 0.5 μm Au / 2.5 μm Ni

Spring: Stainless steel DIN 17224



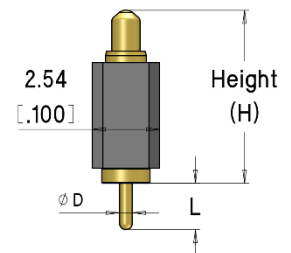
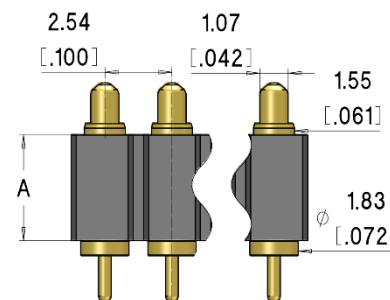
For Spring Loaded Connector THT version with 4 position, one row, a tail with a diameter of 1.00 mm and a length of 3.20 mm, height of 6.55 mm, ordering number is:

- 811-SS-004-13-679101

811-SS-NNN-1Y-6XX101

SLC Connector, THT, various height, single row

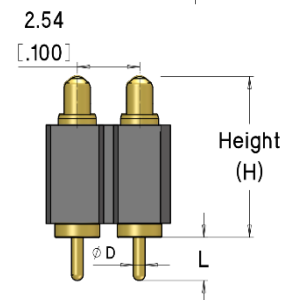
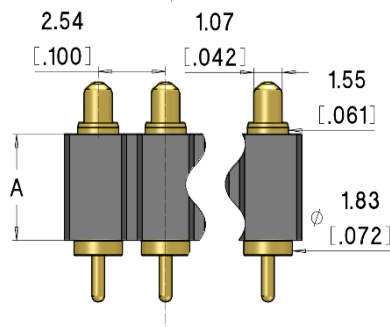
- Replace NNN by the desired number of poles.
- Replace XX for desired height (See table)
- Replace Y for desired tail (See table)
- Available from 2 to 10 positions.



811-SS-NNN-1Y-6XX101

SLC Connector, THT, various height, single row

- Replace NNN by the desired number of poles.
- Replace XX for desired height (See table)
- Replace Y for desired tail (See table)
- Available from 2 to 10 positions.



Height :

- H = 4.55 mm replace XX by 75
- H = 5.05 mm replace XX by 76
- H = 5.55 mm replace XX by 77
- H = 6.05 mm replace XX by 78
- H = 6.55 mm replace XX by 79
- H = 7.05 mm replace XX by 80
- H = 7.55 mm replace XX by 81
- H = 8.05 mm replace XX by 82
- H = 8.55 mm replace XX by 83

Tail Option :

- 0 : D = 0.48 mm // L = 1.75 mm
- 3 : D = 1.00 mm // L = 3.20 mm
- 4 : D = 0.60 mm // L = 3.41 mm

For more information, please visit our web site :



PAD CONNECTORS

2.54 mm grid / THT mount

TECHNICAL SPECIFICATIONS:

OPERATING CURRENT: Max 5 A

DYNAMIC CONTACT RESISTANCE: 20mΩ

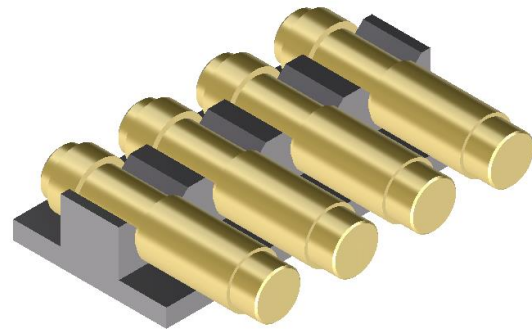
OPERATING TEMPERATURE RANGE: -55/+125 °C

DURABILITY: 20'000 cycles

MATERIALS / PLATINGS:

Insulator : Black glass filled polyester PCT-GF30-FR

Body : Copper alloys - 0.125 μm Au / 2.5 μm Ni



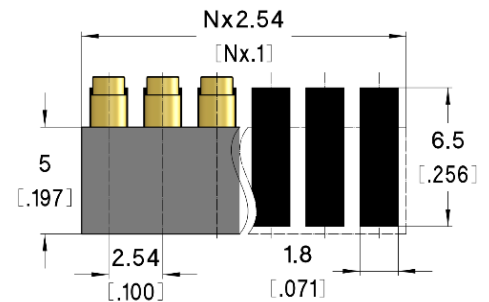
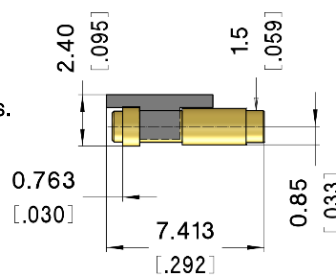
For PAD Connector Horizontal Mount with 4 position, one row, ordering number is:

- 8MM-11-0004-02-131

8MM-11-00NN-02-131

Pad Connector Horizontal Mount

- Replace NNN by the desired number of poles.
- Available from 2 to 10 positions.



For more information, please visit our web site :



PAD & SLC CONNECTORS WITH CLIP DESIGN

5.08 mm grid / Surface mount / 12 Amps

TECHNICAL SPECIFICATIONS:

OPERATING CURRENT: Max 12 A

DYNAMIC CONTACT RESISTANCE: 20mΩ

OPERATING TEMPERATURE RANGE: -55/+125 °C

DURABILITY: 20'000 cycles

MATERIALS / PLATINGS:

Insulator : Black glass filled polyamide PA9T

Body : Copper alloys - 0.125 μm Au / 2.5 μm Ni

Piston : Copper alloys - 0.5 μm Au / 2.5 μm Ni

Spring: Stainless steel DIN 17224

Pad: Copper alloys - 0.5 μm Au / 2.5 μm Ni



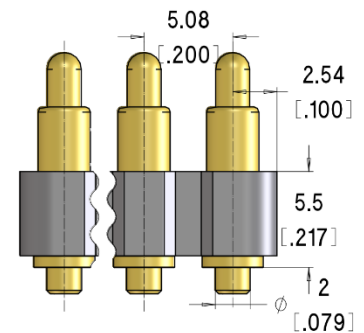
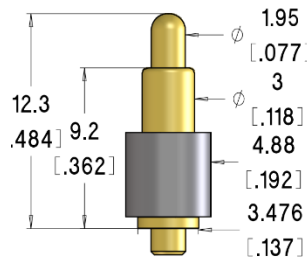
For PAD Connector SMT with 4 position, one raw, ordering number is:

- 8MM-10-0004-02-642

8PM-27-000N-02-642

SLC Connector, SMT, 12 Amps

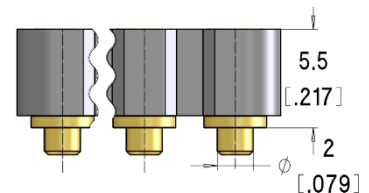
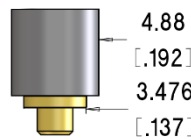
- Replace NNN by the desired number of poles.
- Available from 2 to 10 positions.



8MM-10-000N-02-642

Pad Connector, SMT, 12 Amps

- Replace NNN by the desired number of poles.
- Available from 2 to 10 positions.



For more information, please visit our web site :



PAD & SLC CONNECTORS WITH CLIP DESIGN

2.54 mm grid / Solder Cup / 12 Amps

TECHNICAL SPECIFICATIONS:

OPERATING CURRENT: Max 12 A

DYNAMIC CONTACT RESISTANCE: 20mΩ

OPERATING TEMPERATURE RANGE: -55/+125 °C

DURABILITY: 20'000 cycles

MATERIALS / PLATINGS:

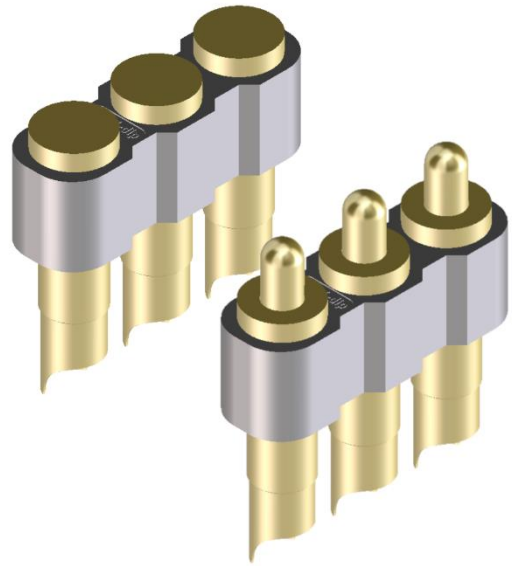
Insulator : Black glass filled polyamide PA9T

Body : Copper alloys - 0.125 μm Au / 2.5 μm Ni

Piston : Copper alloys - 0.5 μm Au / 2.5 μm Ni

Spring: Stainless steel DIN 17224

Pad : Copper alloys - 0.5 μm Au / 2.5 μm Ni



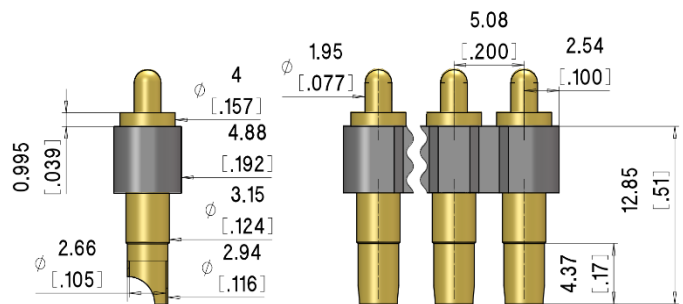
For SLC Connector Solder Cup with 4 position, one row, ordering number is:

- 8PO-10-0004-02-642

8PO-27-000N-02-642

Solder Cup, One Row

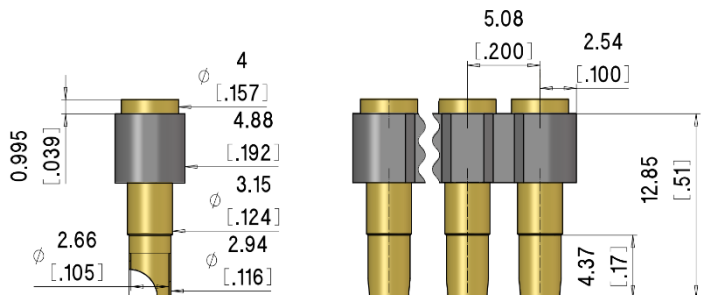
- Replace NNN by the desired number of poles.
- Available from 2 to 10 positions.



8PO-10-000N-02-642

Solder Cup, One Row

- Replace NNN by the desired number of poles.
- Available from 2 to 10 positions.



For more information, please visit our web site :



PAD & SLC CONNECTORS WITH CLIP DESIGN

2.54 mm grid / Right Angle / Anchor / 12 Amps

TECHNICAL SPECIFICATIONS:

OPERATING CURRENT: Max 12 A

DYNAMIC CONTACT RESISTANCE: 20mΩ

OPERATING TEMPERATURE RANGE: -55/+125 °C

DURABILITY: 20'000 cycles

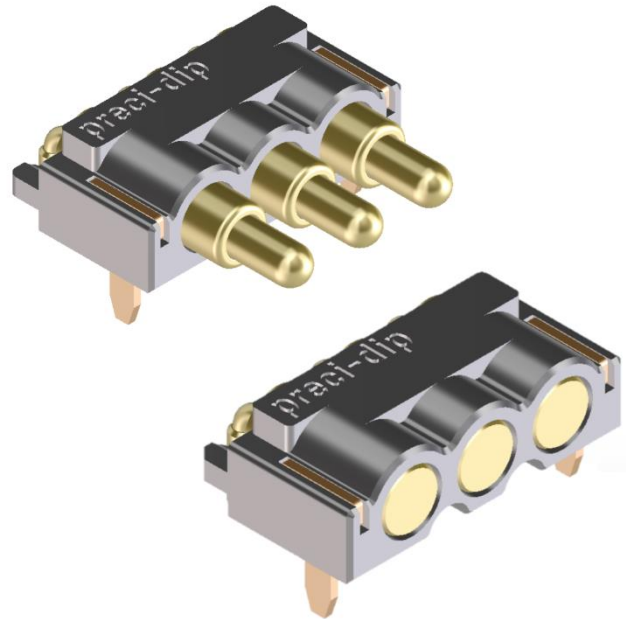
MATERIALS / PLATINGS:

Body : Copper alloys - 0.125 μm Au / 2.5 μm Ni

Piston : Copper alloys - 0.5 μm Au / 2.5 μm Ni

Spring: Stainless steel DIN 17224

Pad : Copper alloys - 0.5 μm Au / 2.5 μm Ni



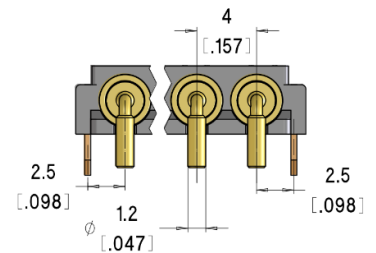
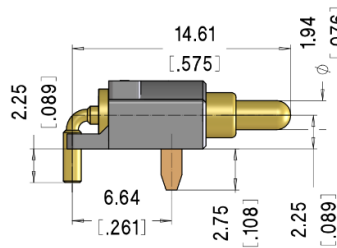
For SLC Connector Right Angle with 4 position, one row, ordering number is:

- 8PC-27-0004-03-638

8PC-27-000N-03-638

Solder Cup, One Row

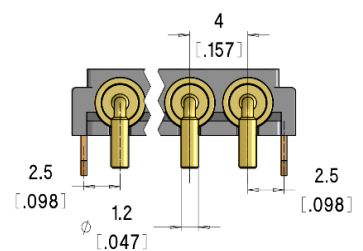
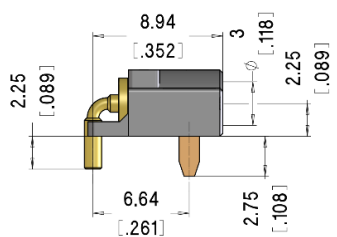
- Replace NNN by the desired number of poles.
- Available from 2 to 10 positions.



8PC-27-000N-03-638

Solder Cup, One Row

- Replace NNN by the desired number of poles.
- Available from 2 to 10 positions.



For more information, please visit our web site :



PRECI-DIP

Connection Technology

Custom design is our main strength, and your advantage when your ideas need a development partner. Vast experience with countless standard products and more than 20,000 references. Everything under one roof worldwide: We master all key processes in-house, from raw materials to finished goods.

As a global company we comply with internationally recognized certifications, including ML-STD-790, ISO 9001, Aviasecure Cert, IATF 16949, ISO 14001, EN AS JIQS 9100, UL (E174442), Renewable Energy Certification and the Certificate Act-Energy Efficiency and Climate Protection, just to name a few.

Connected to Our End of the World.

PRECI-DIP is represented by dealers in 111 countries around the world. Contact us for detailed information.



preci-dip

PRECI-DIP SA

Rue Saint-Henri 11 P.O : Box 834 CH-2800

Delémont,

Switzerland

T +41 32 421 04 00

PRECI-DIP LLC

225 Oracal Parkway Ellabell

GA 31308

USA

T +1 912 851 0225

PRECI-DIP Connector Shanghai

4th floor, Building# 3 No. 58 Wenxiangdong
Road, Songjiang district

Shanghai, China, PC 201613

T +86 21 60291752